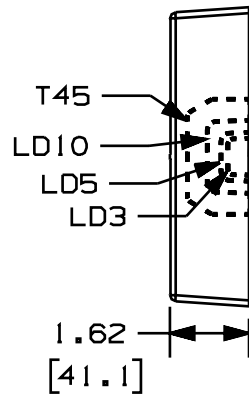
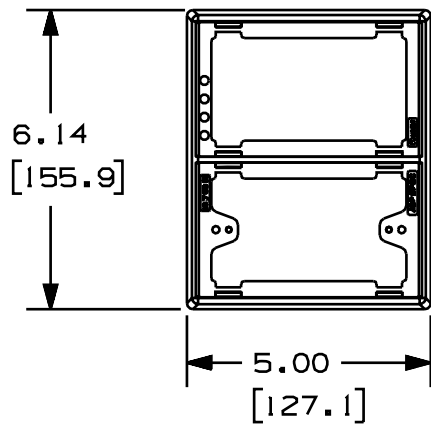


THIS COPY IS PROVIDED ON A RESTRICTED BASIS AND IS NOT TO BE USED IN ANY WAY DETRIMENTAL TO THE INTERESTS OF PANDUIT CORP.



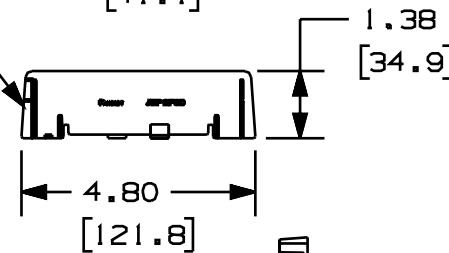
| PANDUIT P/N | WEIGHT                            |
|-------------|-----------------------------------|
| JBP2FS      | 3.92 LB/10 PCS<br>(1775 g/10 PCS) |

NOTES:

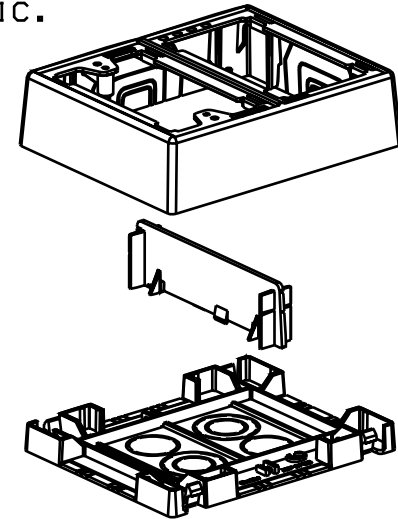
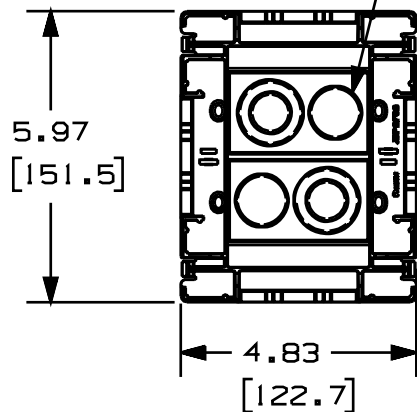
- SEE CURRENT CATALOG FOR ADDITIONAL PART SUFFIXES TO INDICATE COLOR AND OR PACKAGE QUANTITY.
- CONCENTRIC BREAKOUTS TO ACCOMMODATE CONDUIT SIZES OF 1/2", 3/4", AND 1" DIAMETERS.
- BREAKOUTS ARE PROVIDED ON ALL FOUR SIDES OF COVER.
- DIVIDER PROVIDES POWER AND DATA SEPARATION IMMEDIATELY FROM RACEWAY.
- DIMENSIONS IN PARENTHESES ARE IN METRIC.



SEE NOTE 4.



SEE NOTE 2.



CAD FILENAME/LAYERS

D37086BD\_DC\_JBP2FS\_00A.PRT

PANDUIT CORP. TINLEY PARK, ILLINOIS

2 GANG SNAP TOGETHER  
JUNCTION BOX (JBP2FS)  
CUSTOMER DRAWING

UNLESS OTHERWISE SPECIFIED,  
DIMENSIONAL TOLERANCES ARE:  
(.X) ± .XXX ± .005  
(.XX) ± .010 ANGLES ± 1°

UNLESS OTHERWISE SPECIFIED,  
ALL DIMENSIONS ARE GIVEN  
IN INCHES, THIRD ANGLE PROJECTION.

DRAWN BY  
RABO

MAT'L:

SCALE FULL

R 11/18/99 RABO JAWA RELEASED TO PRODUCTION

37086-04 HIW HIW

DATE  
11/18/99

PVC

DRAWING NO.  
37086-04

DWG  
A  
SIZE

| REV | DATE | BY | CHK | DESCRIPTION | ECN | R | CUST | SUP |
|-----|------|----|-----|-------------|-----|---|------|-----|
|     |      |    |     |             |     |   |      |     |

CHK'D  
HIW